

**Long Range Twisted Pair Transmission System – Active Receiver**

ITEM NO.: **TTA111VRH** Long Range Active Receiver

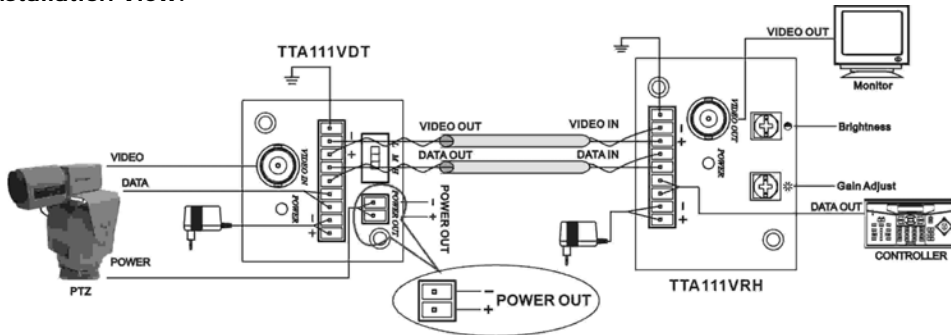


**Features:**

- Designed for long range video transmission.
- Dual Power: DC12V , AC24V
- Video and data receiver.
- Transmission range from 100 meters to 1200 meters when work with Passive Transmitter.
- Transmission range from 100 meters to 1800 meters when work with Active Transmitter.
- Easy setting with 2 adjustments for color gain and brightness.
- Built in Ground loop isolator.
- Built in transit protection and ground lifting.
- Power supply included.



**Installation View:**



<http://www.foresight-cctv.com>

**Troubleshooting:**

All transmission distances mentioned above are without connecting image processor (e.g. Quad, Multiplexer, DVR), the transmission range would be reducing 100-200meters upon different camera, cable, DVR...ect.

1. These products are designed for long range transmission, the unit built in video amplifier function, If your transmission range under 250 meters, the video gain function is too big to have snow or wavy, bright image occurred. Recommend to use them with range at least over 250 meters.
2. When finish the installation, but no video signal, please checks Power LED and power source.
3. No video signal, please check cable installation.
4. Video signal is not normal; please check “+” and “-” of cable.

**Specification:**

ITEM NO.	TTA111VRH
Video input	0.12-2 Vpp
Input impedance	45 - 175 Ohms
Video output	1 Vpp, 75 Ohms
Freq. response	50 Hz - 5 MHz(-3 dB)
Disturbance reduction	> 70 dB, 50Hz
Gain adjustment	+6 dB...+60 dB at 5 MHz
Noise	-50 dB at+40 dB gain adj. -47 dB at+60 dB gain adj.
Power Consumption	DC12V, 40mA (max)
Indicators	LED(Red)-power on
Material	ABS
Dimensions	W x H x D mm
	57.8x49.2x41.7

<http://www.foresight-cctv.com>