

Coaxial Cabling : Video Distributor & Video Amplifier Series

ITEM NO.: CD1664,

CD1664 is video distributor with one or multi video input to multi output over RG59 coaxial cable. They are suitable for far distance, different floor in a building or different electrical field.

Video Distributor

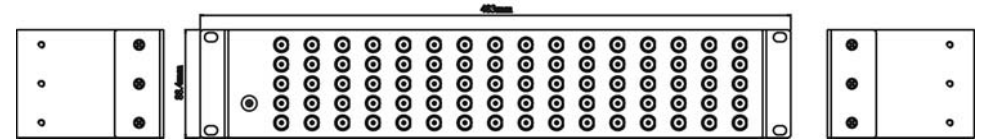
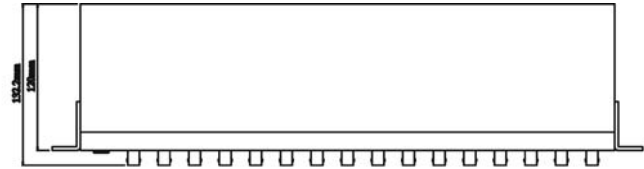
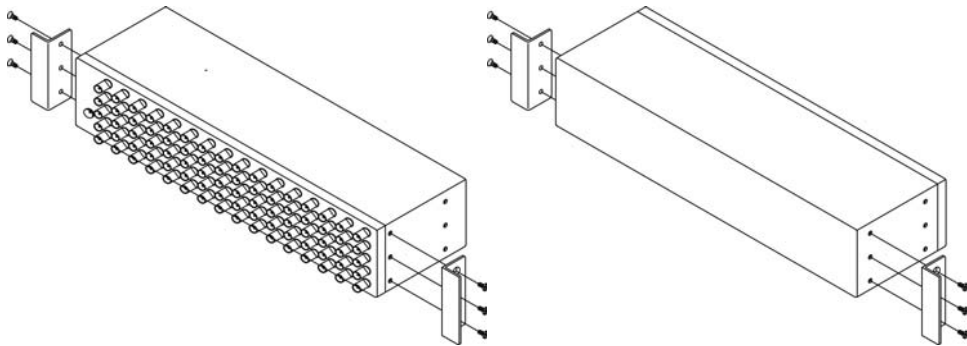
CD1664 16 Input to 64 Output



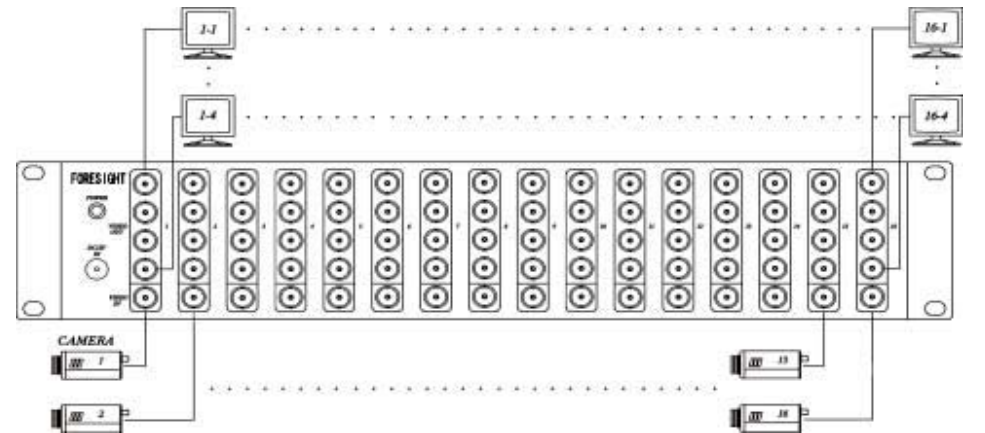
Features:

- Red LED: power on/off.
- Built in fan for stable working temperature.
- It can be connected video camera, multiplexer, VCR, DVR...etc.

View of Front, Back Panel:



Installation View:



Troubleshooting:

All transmission distances mentioned above are without connecting image processor (e.g. Quad, Multiplexer, DVR), the transmission range would be reduced in 100-200 meters upon different camera, cable, DVR...ect.

1. When finish the installation, but no video signal, please check Power LED and power source.
2. Video signal is not normal; please check "+" and "-" of cable.

Specification:

Item	CD1664
Video Input Channel	16
Video Output Channel	64
Video Input Level	0.8~1.2Vp-p, 75 Ohms
Video Bandwidth	20Mhz
Power Supply	DC12V or DC15V
Power Consumption	3AMP
Dimensions (mm)	483 x 88.4 x 120mm (132.2 with BNC) (2U height)
Material	Metal Black